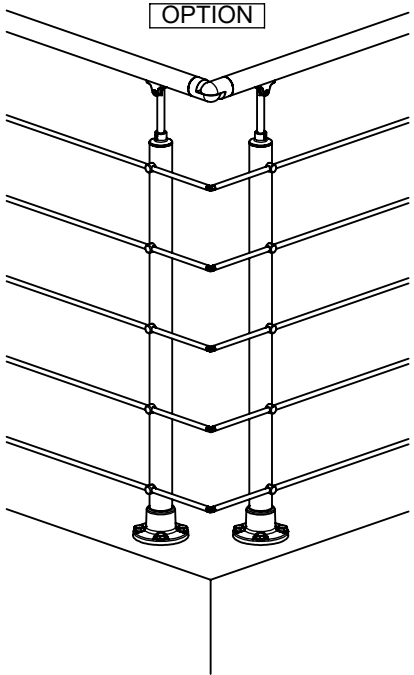
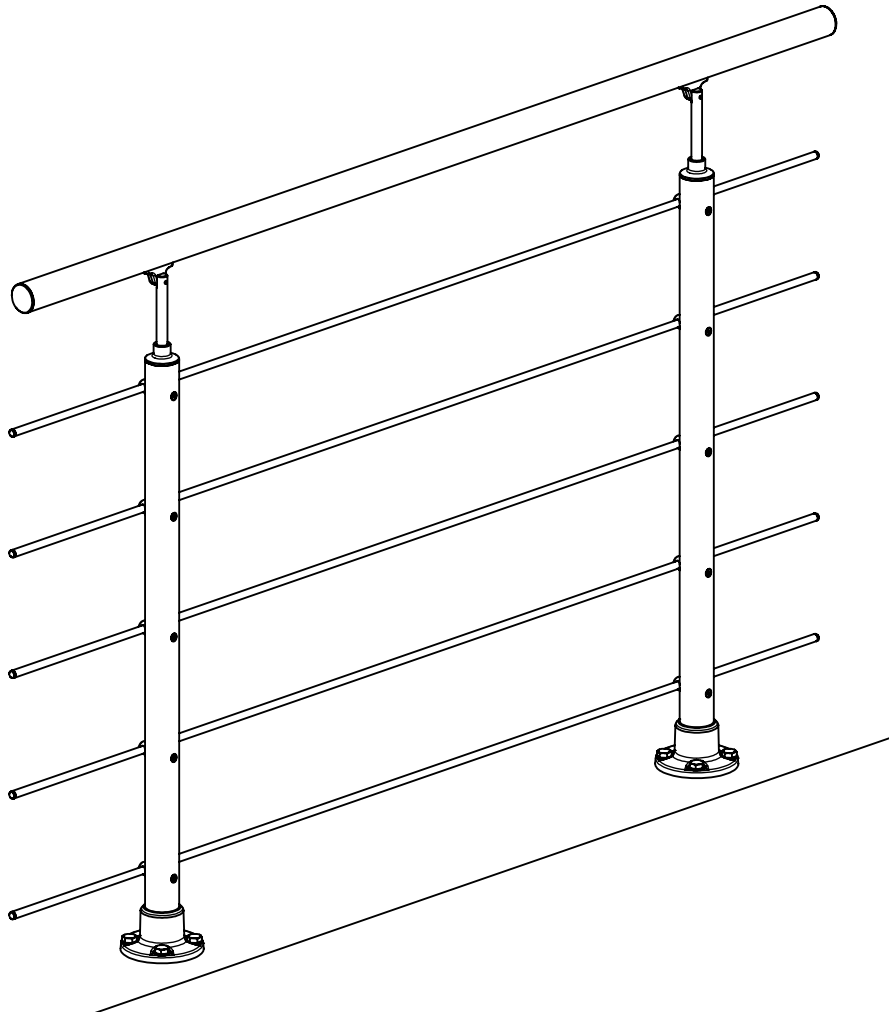
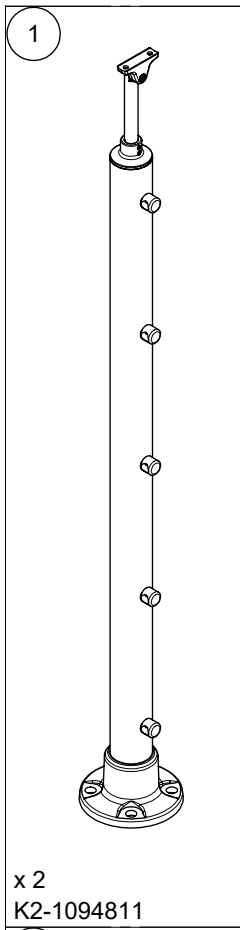
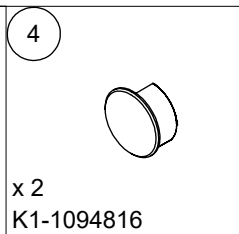
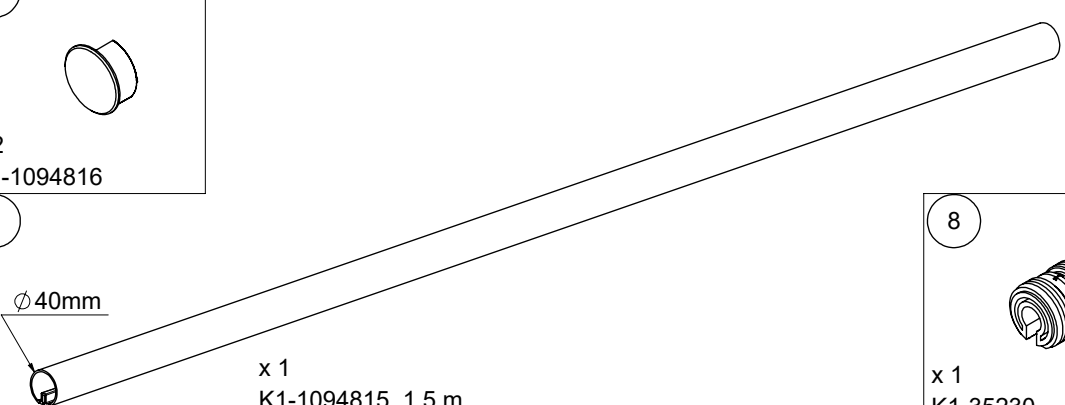
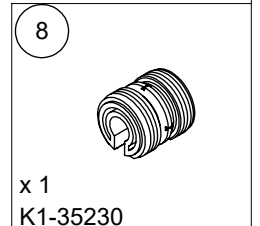
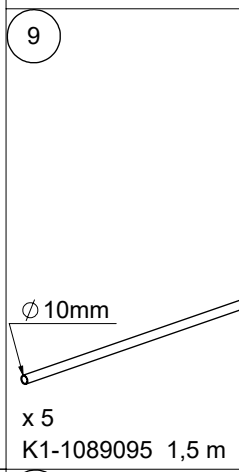
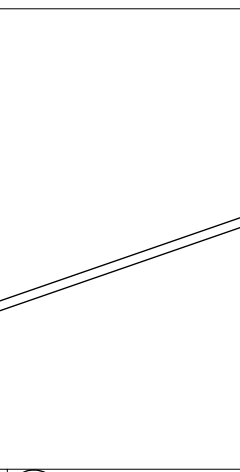

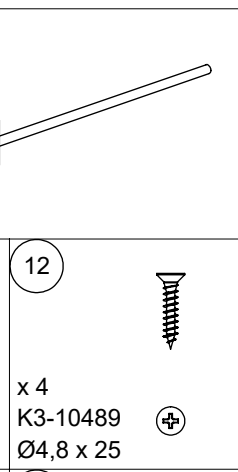
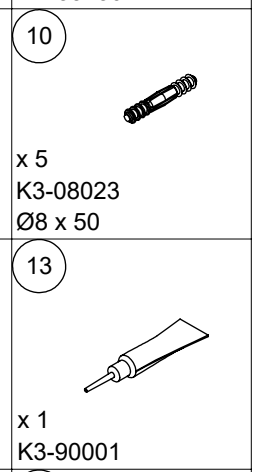

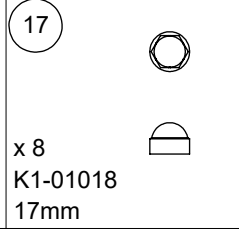
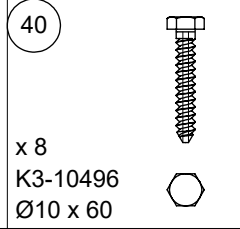

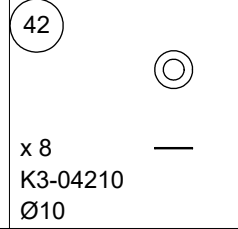
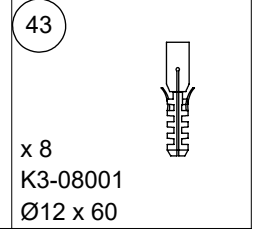
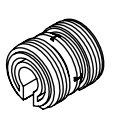
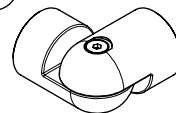
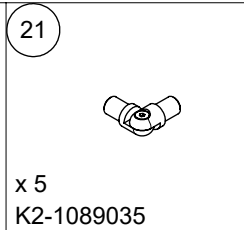


CLEAN BLACK

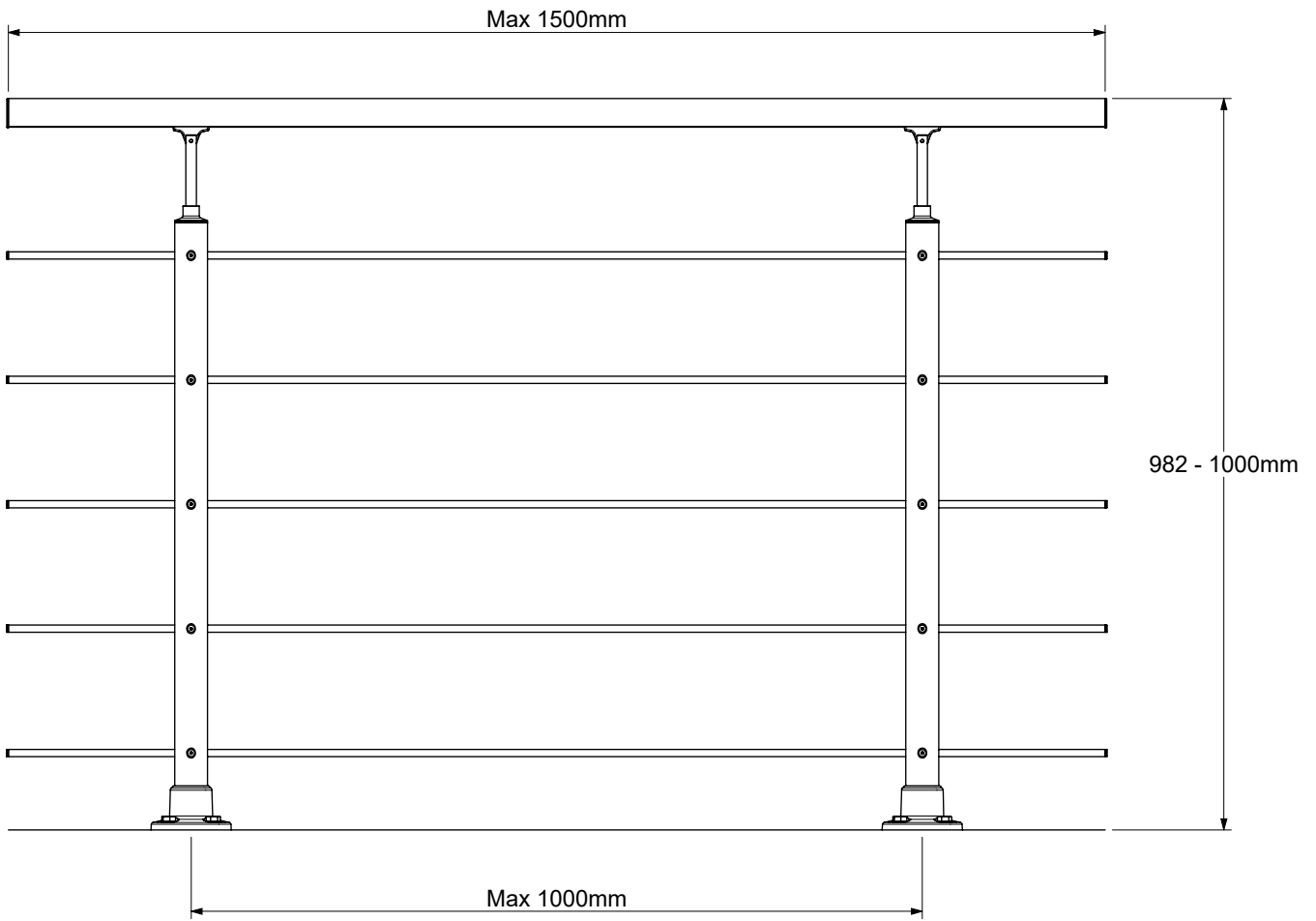
1,5M



<p>1</p>  <p>x 2 K2-1094811</p>	<p>4</p>  <p>x 2 K1-1094816</p>	<p>7</p>  <p>∅ 40mm</p> <p>x 1 K1-1094815 1,5 m</p>							<p>8</p>  <p>x 1 K1-35230</p>
	<p>9</p>  <p>∅ 10mm</p> <p>x 5 K1-1089095 1,5 m</p>	<p>11</p>  <p>x 10 K1-1089092 ∅8 x 50</p>	<p>12</p>  <p>x 4 K3-10489 ∅4,8 x 25</p>	<p>10</p>  <p>x 5 K3-08023 ∅8 x 50</p>	<p>13</p>  <p>x 1 K3-90001</p>				
<p>16</p>  <p>x 10 K3-10474 M5 x 5</p>	<p>17</p>  <p>x 8 K1-01018 17mm</p>	<p>40</p>  <p>x 8 K3-10496 ∅10 x 60</p>	<p>41</p>  <p>x 8 K3-10495 ∅10 / ∅21</p>	<p>42</p>  <p>x 8 K3-04210 ∅10</p>	<p>43</p>  <p>x 8 K3-08001 ∅12 x 60</p>				

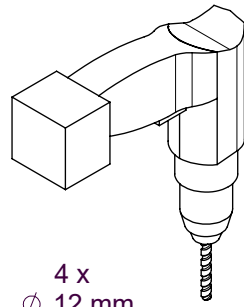
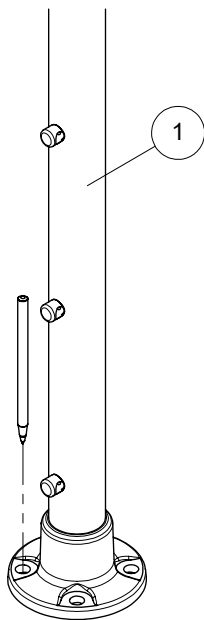
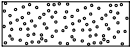
OPTION	
<p>8</p>  <p>x 2 K1-35230</p>	
<p>20</p>  <p>x 1 K2-1094832</p>	<p>21</p>  <p>x 5 K2-1089035</p>

1



2

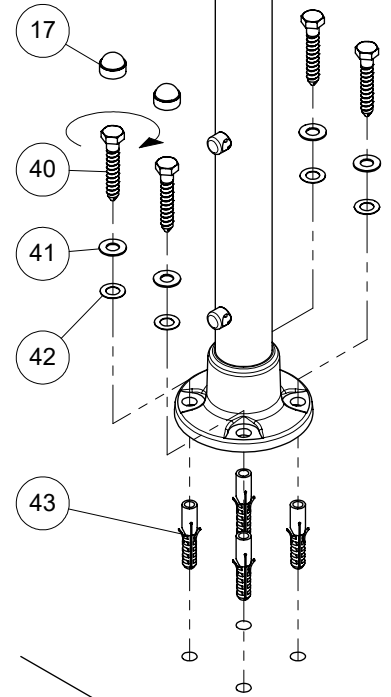
Alt
A



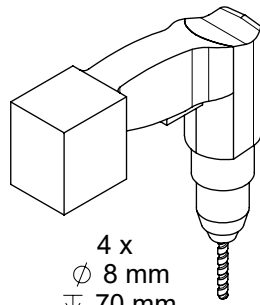
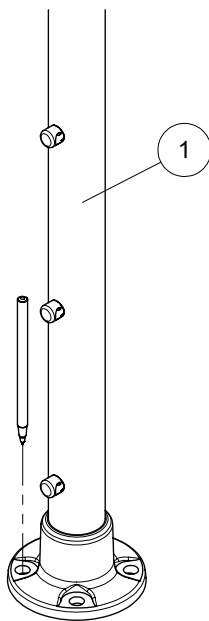
4 x
 \varnothing 12 mm
↓ 70 mm

80 mm

80 mm



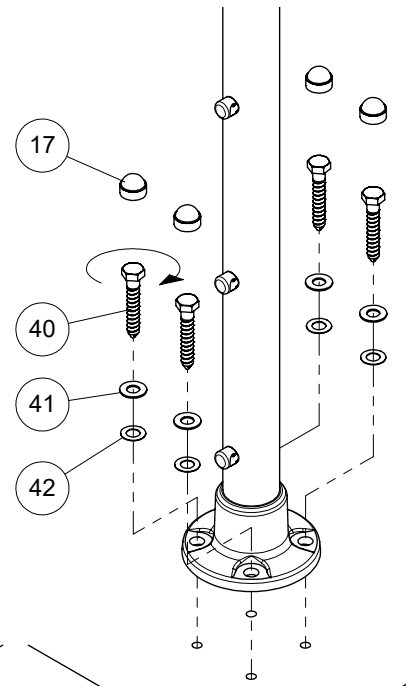
Alt
B

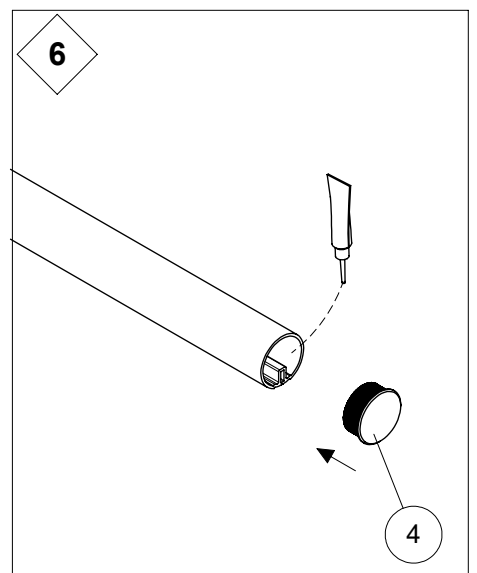
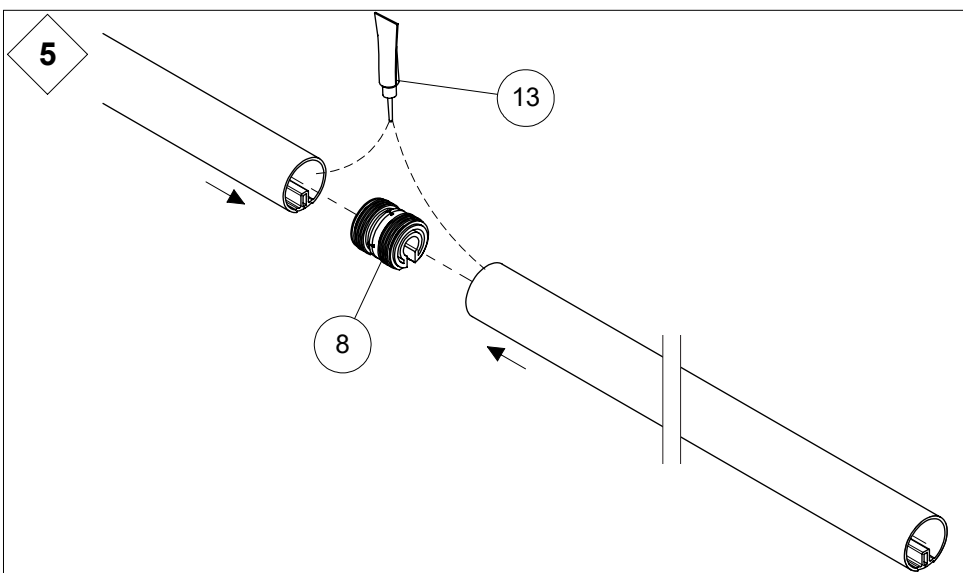
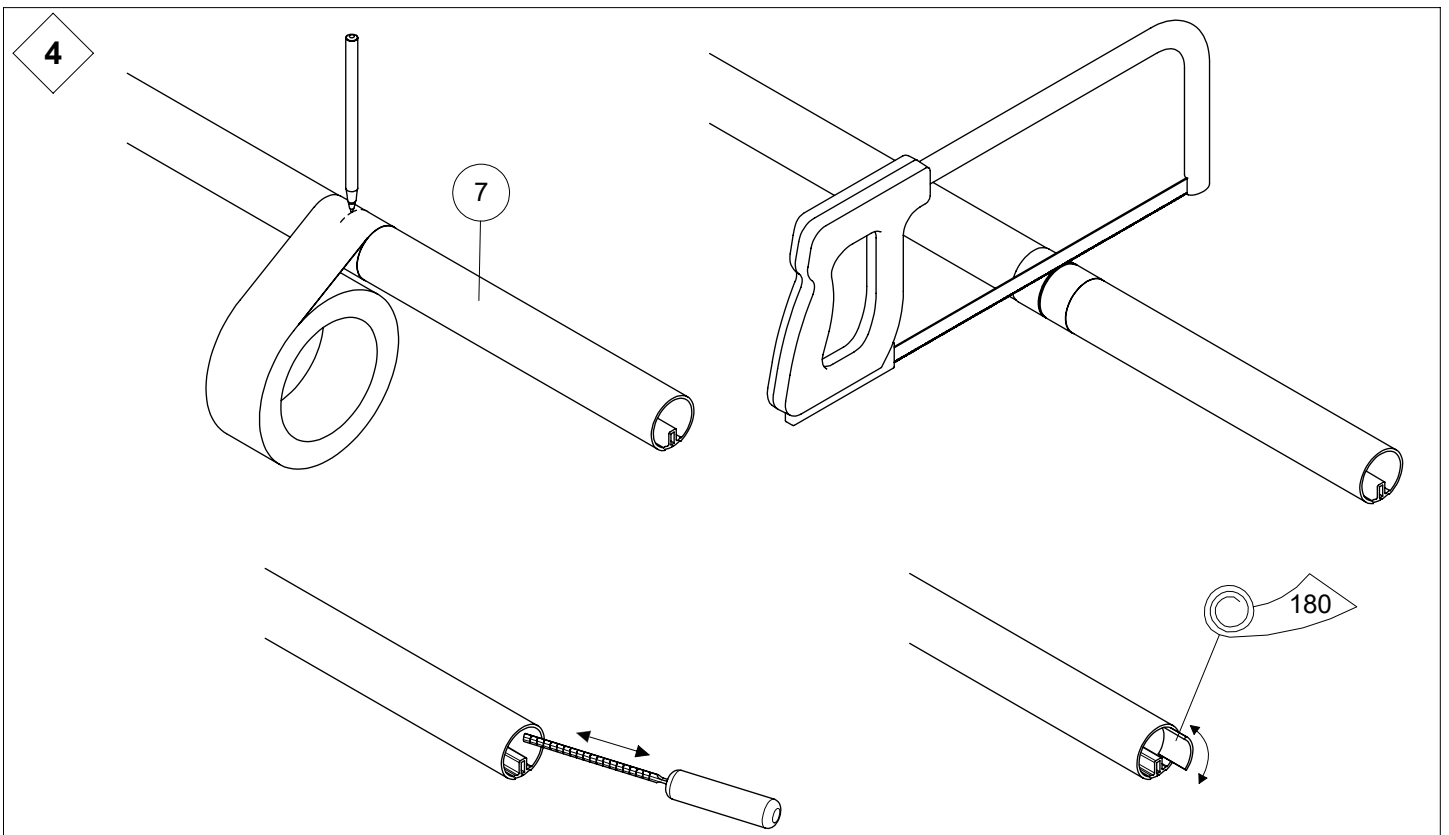
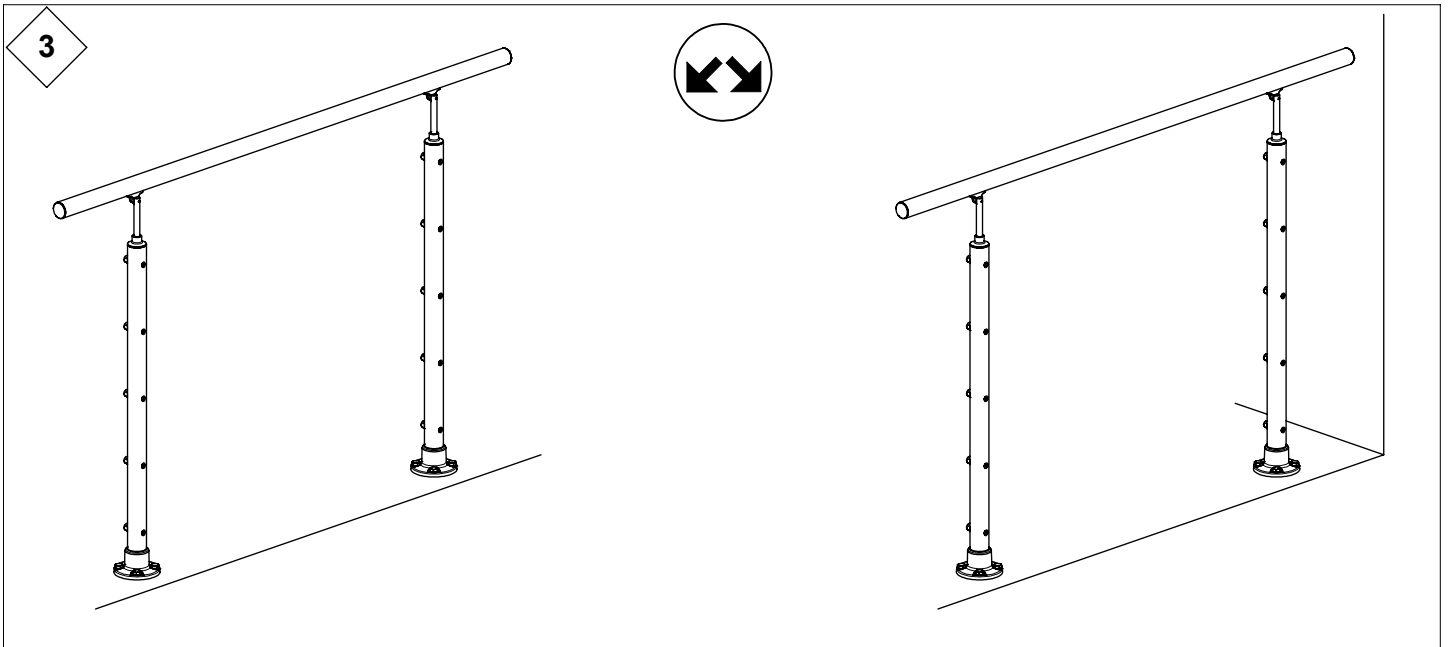


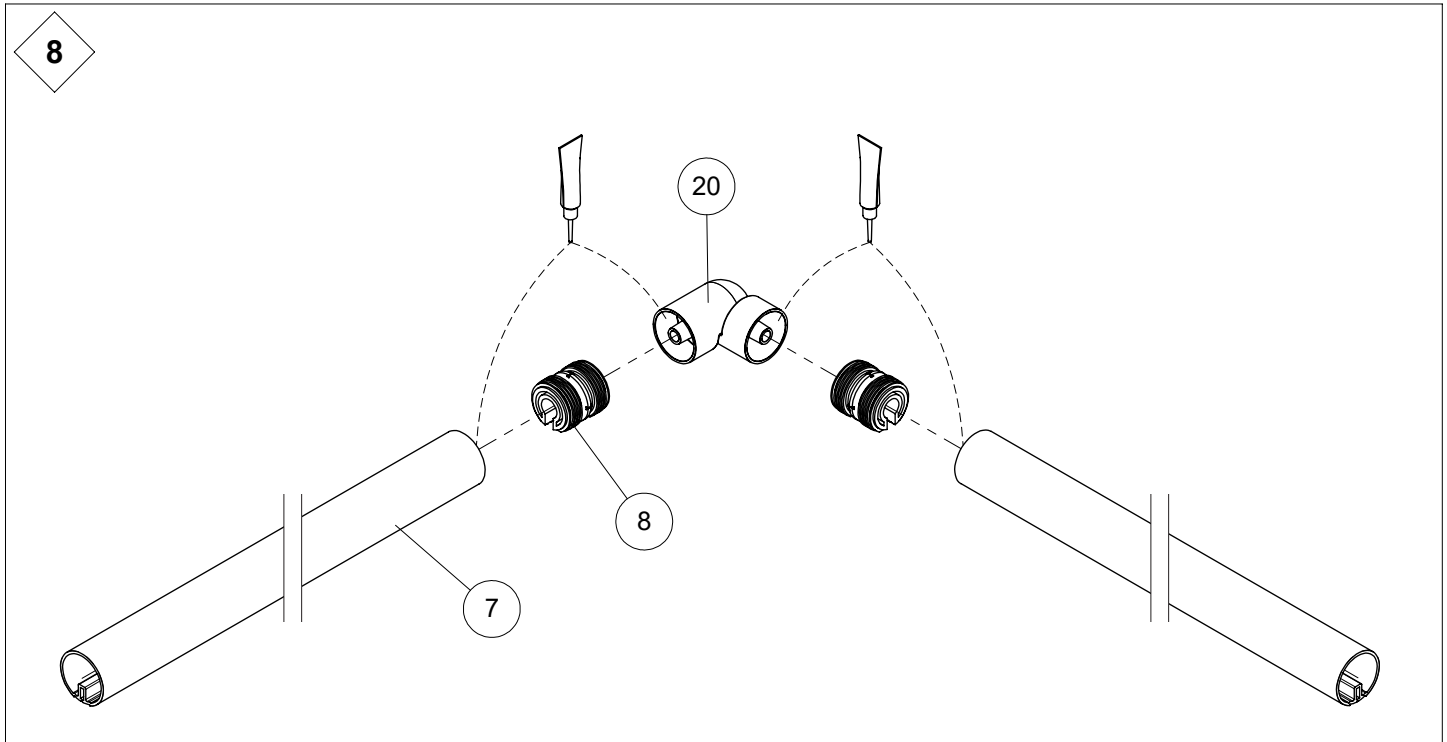
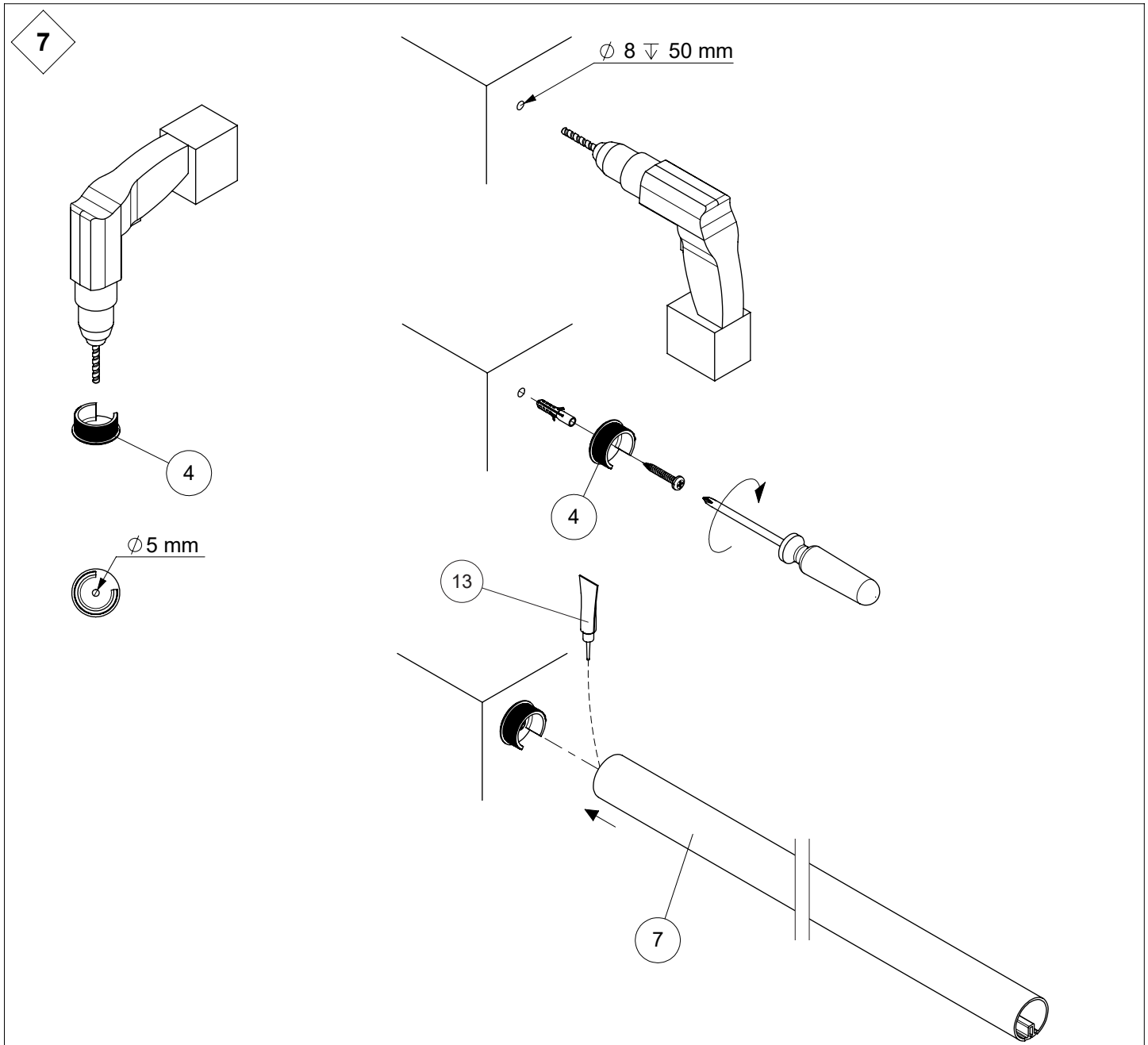
4 x
 \varnothing 8 mm
↓ 70 mm

80 mm

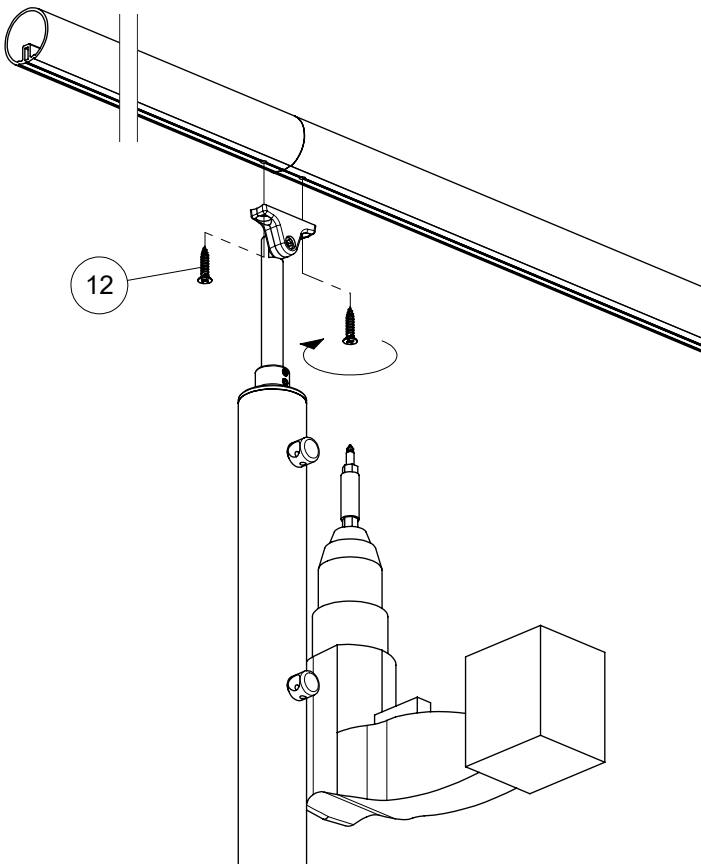
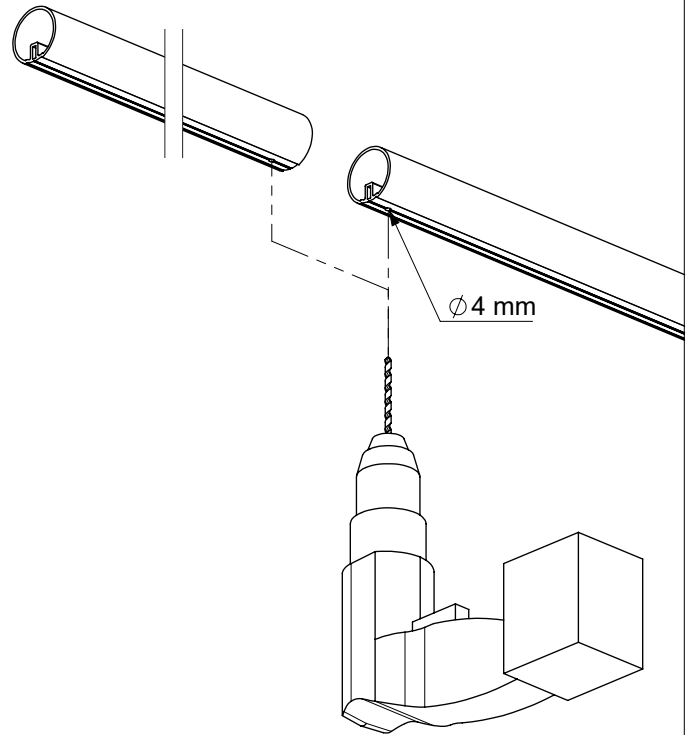
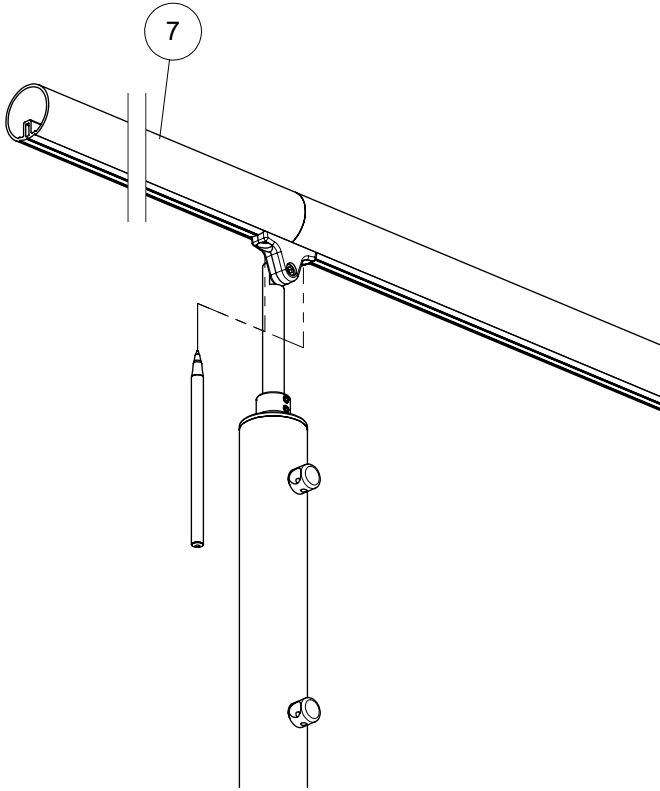
80 mm







9



10

