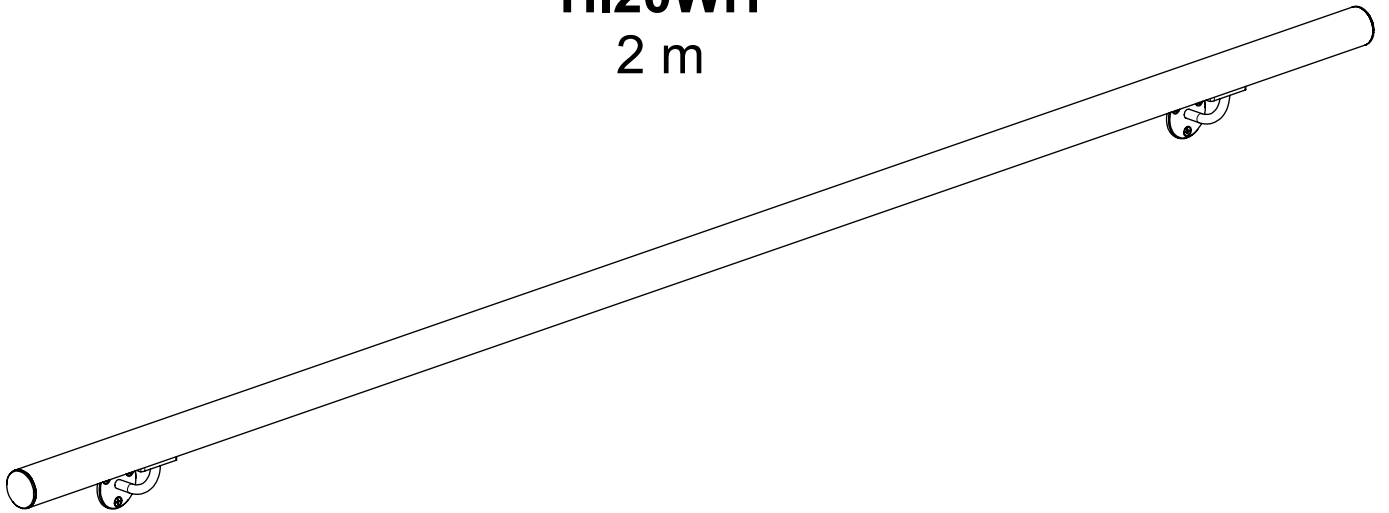


HI20WH

2 m



HI20WH

<p>7</p> <p>Ø42,4mm</p> <p>x 1 K1-35302 2,0 m</p>	<p>8</p> <p>x 1 K1-35330</p> <p>12</p> <p>x 1 K3-10014 M4</p> <p>13</p> <p>x 1 K3-90001</p>
-------------------------------------------------------	-------------------------------------------------------------------------------------------------------------

HI5

OPTION

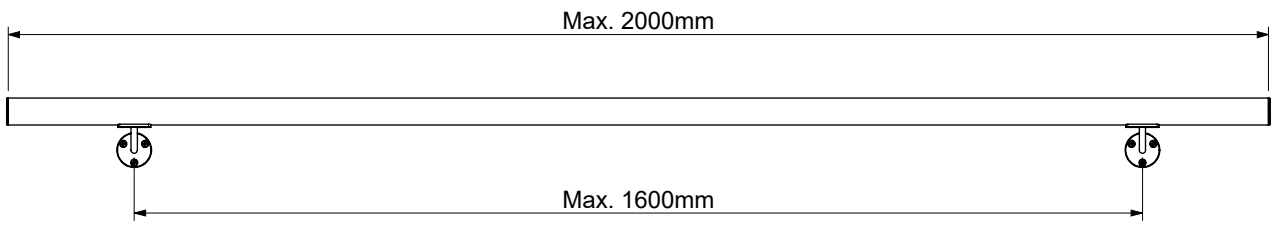
<p>4</p> <p>x 2 K1-35311</p>

HI7

OPTION

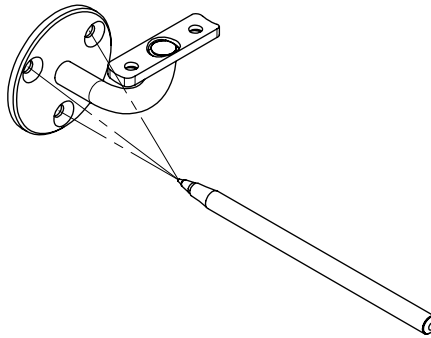
<p>2</p> <p>x 1 K2-35510</p>	<p>6</p> <p>x 2 K3-02042 M4 x 12</p>	<p>14</p> <p>x 3 K3-08002 Ø8 x 40</p>	<p>15</p> <p>x 3 K3-06063 Ø5 x 50</p>
----------------------------------	----------------------------------------------	-----------------------------------------------	-----------------------------------------------

1

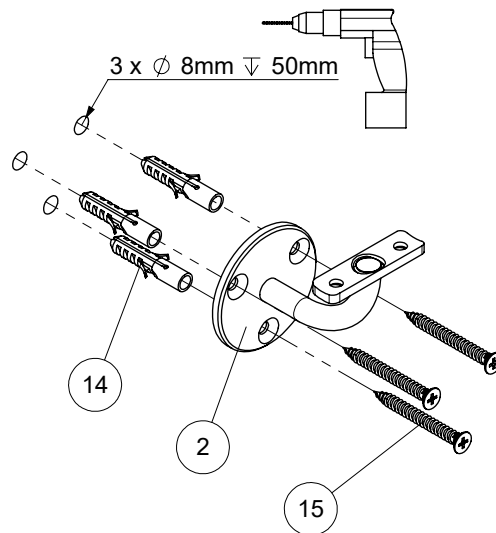


2

I



II



III

